

PERFORM™ TOUCHSCREEN TOUCHSCREEN WALL STATION



OVERVIEW

Perform Touchscreen provides a stunningly elegant wall station with a seamless, uninterrupted glass front plate, providing a beautiful interface if your project requires user interaction.

These 5" or 8" touchscreens receive automatically generated pages from the Perform Controller by Pathway Connectivity Solutions® or the Animate™ Controller by nLight® based on programming in Pathscape software. Easily adjust your lighting by activating Looks and setting intensity and color for each Space.

The Perform Touchscreen is designed for easy installation with Power-over-Ethernet allowing single cable installation. The Universal Mounting Plate which is compatible with world-wide back boxes and boasts a simple twist mechanism for final installation.

FEATURES

- Touchscreen interface for the Perform or Animate Controller
- Power over Ethernet; single cable installation
- Quick installation with Universal Mounting Plate
- Can be installed in Portrait or Landscape orientation
- Support for up to 32 PWTS devices on one Perform or Animate Controller
- Use the Pathscape software to customize the user interface, including button styles, color palettes, custom logo, page name, and welcome text
- Secure access Keypad option for PIN-code entry with automatic lock

WARRANTY

3-year limited warranty. This is the only warranty provided and no other statements in this specification sheet create any warranty of any kind. All other express and implied warranties are disclaimed. Complete warranty terms located at: <https://www.acuitybrands.com/support/warranty>

NOTE

Actual performance may differ as a result of end-user environment and application. Specifications subject to change without notice.

ORDERING INFORMATION

EXAMPLE: PWTS PERFORM 8IN BL			
Series		Size	Color
PWTS PERFORM	Perform Touchscreen	5IN	5in Touchscreen Interface
		8IN	8in Touchscreen Interface
		BL	Black
		WH	White

Accessories

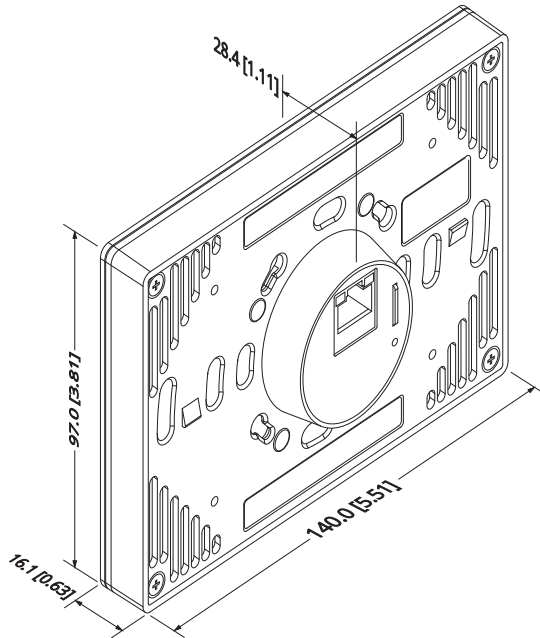
PWACC TSDT	Touchscreen Desktop Stand
------------	---------------------------

SPECIFICATIONS

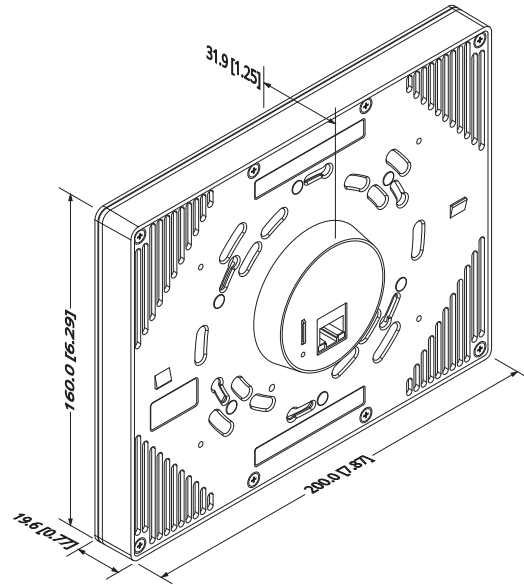
Electrical	Input Ratings	PoE (IEEE802.3af, Class 0), 10W typical
	Regulatory Compliance	CE
Mechanical	Dimensions	PWTS PERFORM 5IN 5.5 x 3.8 x 1.1 in (14 x 9.7 x 2.8 cm)
		PWTS PERFORM 8IN 7.9 x 6.3 x 1.3 in (20 x 16 x 3.2 cm)
	Weight	PWTS PERFORM 5IN 0.6 lbs (0.25 kg)
		PWTS PERFORM 8IN 1.6 lbs (0.7 kg)
Environmental	Operating Temperature	14°F to 122°F (-10°C to 50°C)
	Relative Humidity	10-90%, non-condensing
	Standard Compliance	RoHS 2011/65/EU + A1 2015/863
General	Compliance	IEEE 802.3af Power-over-Ethernet

DIMENSIONS

PWTS PERFORM 5IN

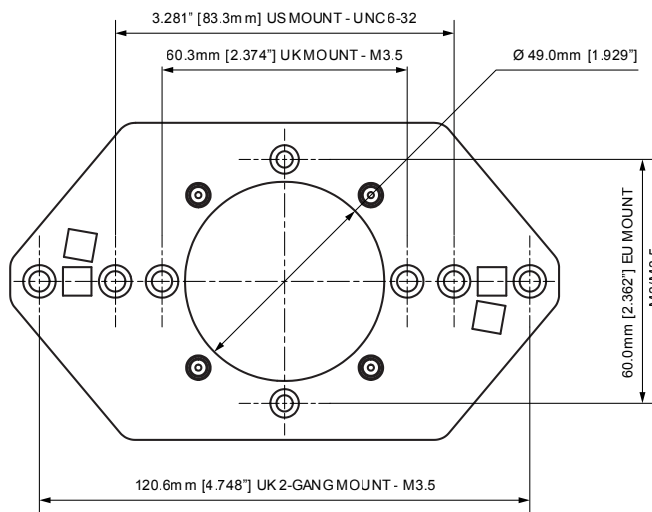


PWTS PERFORM 8IN



Mounting Ring

Universal Mounting Ring 5in



Universal Mounting Ring 8in

